

Fiber optic splice tray T-TACKA-11



Fiber optic splice tray T-TACKA-11 it's serial product made in durable injection-molded **ABS** process in grey color. Splice tray consist of two pieces: tray and hinged cover.

The tray is adapted to store fiber-optic splices protected by heat-shrinkable sheaths. This product can be used in the construction of telecommunications networks based on single- and multi-mode fiber optic cables. The tray provides the possibility of a two-level arrangement of welds (one slot has two covers one above the other) depending on what kind of capacity will be used **12 or 24** welds, at the same time it is possible to use it as a stock rack of fiber optic pigtails.

The product has been designed in a way that allows the same trays to be stacked through hinges to facilitate subsequent maintenance and management at distribution points.

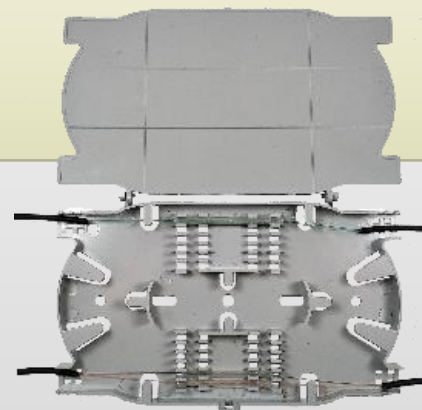
It is intended for installation in joints, distribution boxes, and fiber optic boxes. The assembly will allow two holes with a diameter of **4 mm** each, placed on the back of the tray.

SPECIFICATION

Model	T-TACKA-11
Material	ABS
Size W*H*D(mm)	170*105*15
Capacity	12/24 welds
Assembly	Can be mounted inside the outdoor fiber optic distribution box .

Application?

- Telecommunications subscriber loop
- Fiber to the home (FTTH)
- LAN/WAN
- CATV



Feature:

1. Management and storage pigtail
2. Fiber optic fusion protection
3. Use for single-mode or multimode fiber
4. Durable injection-molded plastic trays and covers
5. Three holes for mounting of the tray
6. Could place 12-fiber in the slots firstly then place the another 12 fiber upper, so that could max splice 24 fiber in one tray. and the upper layer 24-fiber splice trays
7. Installable in outdoor /indoor distribution box, Wall Mount enclosures & splice closures

